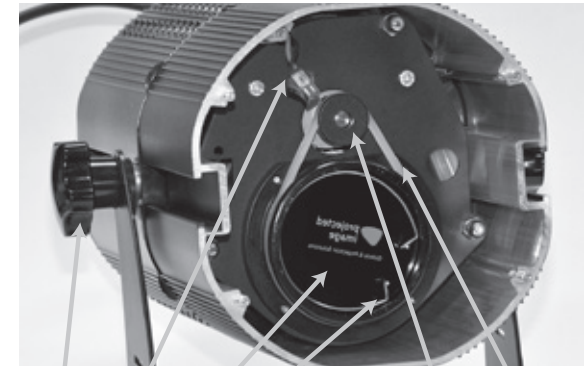


Fixture overview

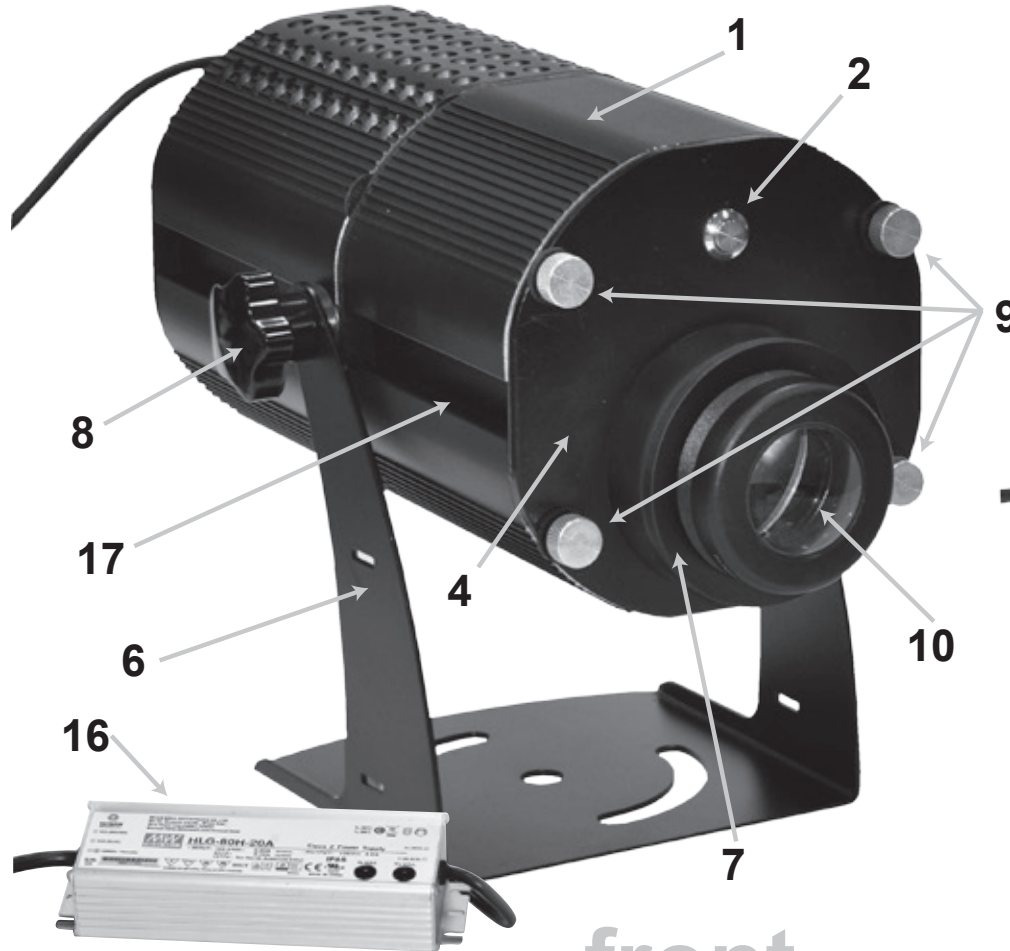
Key

- 1. Projector body
- 2. Rotate button
- 3. AC power inlet
- 4. Front plate & lens housing
- 5. Back plate
- 6. Mounting bracket (yoke)
- 7. Lens ring
- 8. Mounting bracket screws
- 9. Front panel screws
- 10. Lens
- 11. Connection for rotator button
- 12. Gobo
- 13. Spring clip
- 14. Rotator
- 15. Rotating belt
- 16. IP65 rated driver power pack
- 17. Side rail
- 18. Back panel screws

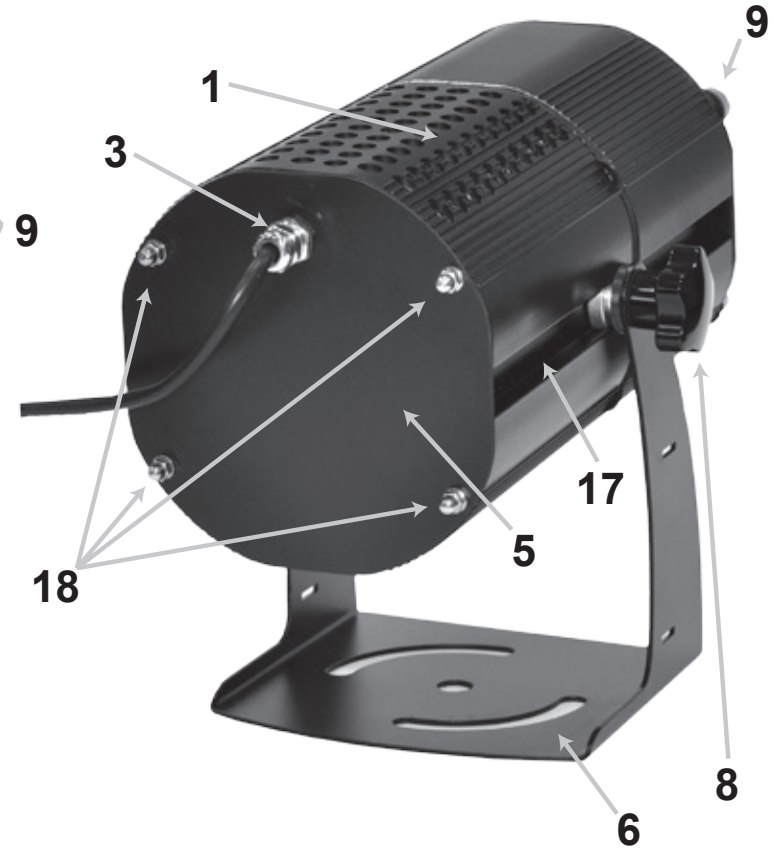
front interior



- 8
- 11
- 12
- 13
- 14
- 15



front



rear

