

AW 40 & 80 Watt Weatherproof Projector rainhood and placement

Using the protective rainhood accessory

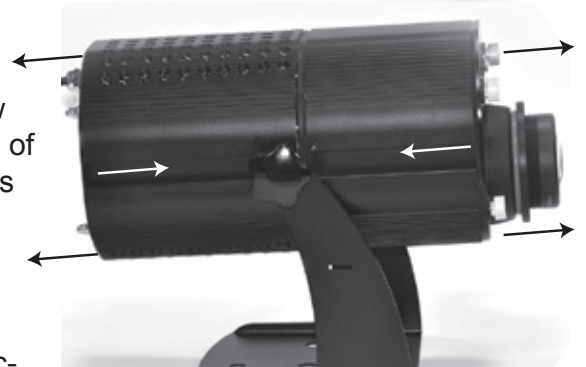
It is recommended to use the Projected Image rainhood with this unit to make sure the projector is protected against adverse weather conditions which may effect the usage of the unit when fitted for permanent or long period installations. This provides additional weather protection from heavy rain and prevents snow from building up on top of the unit.

Fitting

1. Remove the front panel from the projector and slide the screw housing for the mounting bracket screws into the rail on the side of the projector. Do the same on the back of the unit and repeat this process on the otherside of the projector.

2. Place the hood over the top of the projector and line the side slots up with the rail and screw housings in the side of the projector.

Insert the supplied mounting bracket screws through the side slots in the hood and into the screw housings in the side rail of the projector and tighten making sure the hood covers the top and front of the projector as shown.

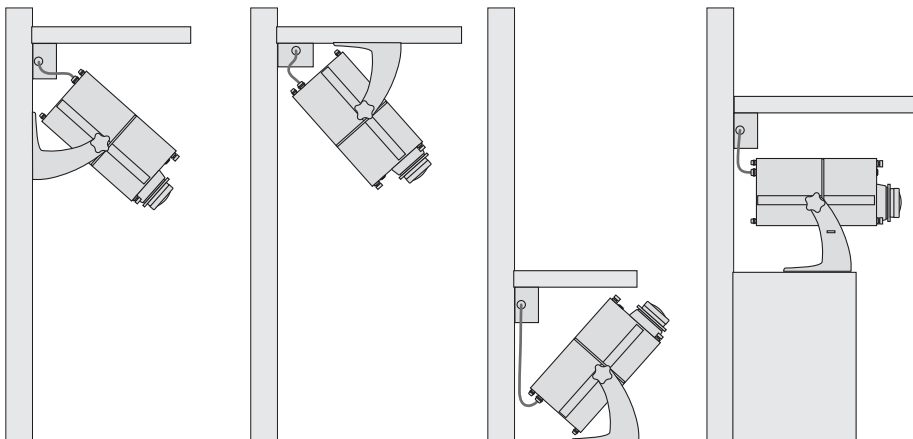


Placement

If the rain hood is not used we strongly advise having some kind of shelter over the top of the unit to protect the projector from adverse weather conditions. Please be aware the Driver is IP65 rated. Only this carries line voltage, the projector does not. The projector is equivalent to IP62 rating.

The units should be fitted by a qualified electrician only.

Below are some examples of placement.



DO NOT

- Submerge any part of the unit under water.
- Place the units under any kind of water source or where a direct flow of water may appear.
- Place in the reach of the public or near a direct heat source.
- Stare directly into the light source.
- Position the unit in direct line of public or vehicles where vision can be effected.
- Cover the unit with any kind of plastic or flammable material.